

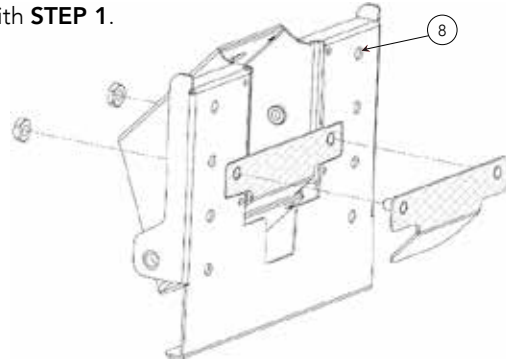
STEP 1A: ONLY For Compact grease spouts (grills listed in grey table below)

If your grill model is listed below, Install CGSA-1 adapter (sold separately) on Mounting Plate (#1) with a 5/16" driver bit then continue with **STEP 1**.

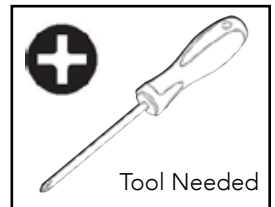
Compact Grill models:

Traeger	-Tailgater -Brunson -Junior 20
Pit Boss	-Lexington / 500 -Mahogany 440D -Tailgater -440FB1
Recteq	-Patio Legend 410 -Road Warrior 340

For other similar grill models, see compatibility tab on website or contact us by email below



Self-tap installation is **REQUIRED** for grills with a compact or smaller grease spout.



FOR STANDARD INSTALL

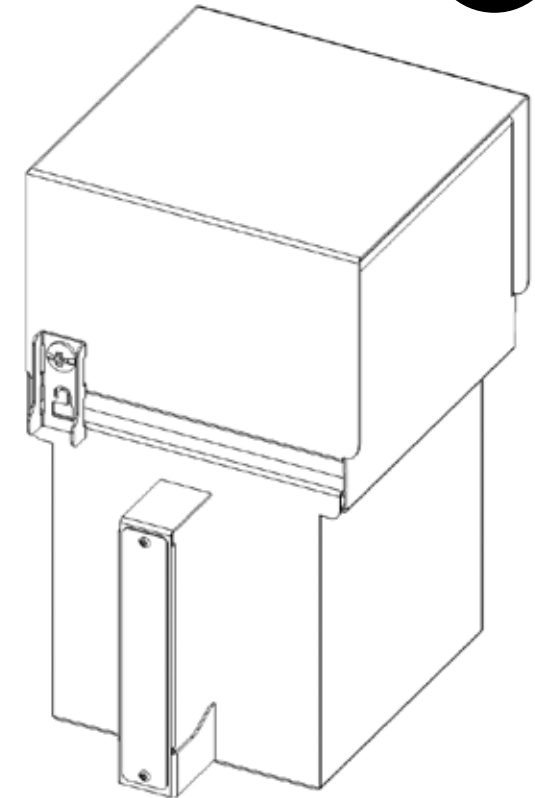
**EASY
5 - 10
MINUTE
INSTALL**

THE GREASE BOX

GX-1

FOR WOOD PELLET GRILLS WITH **SIDE GREASE SPOUTS**

PATENT NUMBER 11812895



STEP 2B: Self-Tap Install Alternate

Self-tapping screws (#7) are offered as an alternate mounting option for all grills but are **REQUIRED** for grills that have a removable or smaller grease spout. The grills listed in grey table above require a CGSA-1 adapter prior to self-tap.

Remove Mounting Screws (#2) from Mounting Plate (#1). Determine placement of Mounting Plate (#1) around the grease spout then hold securely against grill. Use drill to install the first Self-tap Screw (#7) through Pre-drilled Holes (#8) on back of plate then make sure to level bracket prior to securing the remaining screws.

Flip back to page 2 and continue install with STEP 3



5/16" driver

Tools Needed

FOR SELF- TAP INSTALL



THE GREASE BOX LLC

Questions, comments or missing parts?

Contact us > support@thegreasebox.com

Register your products within 30 days of purchase for warranty.

WARNING: ATTACHING THIS PRODUCT MAY VOID THE WARRANTY TO YOUR OUTDOOR COOKING APPARATUS. THE GREASE BOX LLC IS NOT LIABLE FOR FAULTY INSTALLATIONS, IMPROPER MAINTENANCE, ANY DAMAGES OR ISSUES RESULTING FROM THE USE OF THE GREASE BOX ON THE COOKING APPARATUS.



WARNING: This product can expose you to chemicals including lead, which is known to the State of California to cause cancer and birth defects or other reproductive harm. For more information, go to www.p65warnings.ca.gov.



VIDEO INSTALLATION GUIDE:

Find the video installation guide by going to THEGREASEBOX.COM , or by scanning QR code.

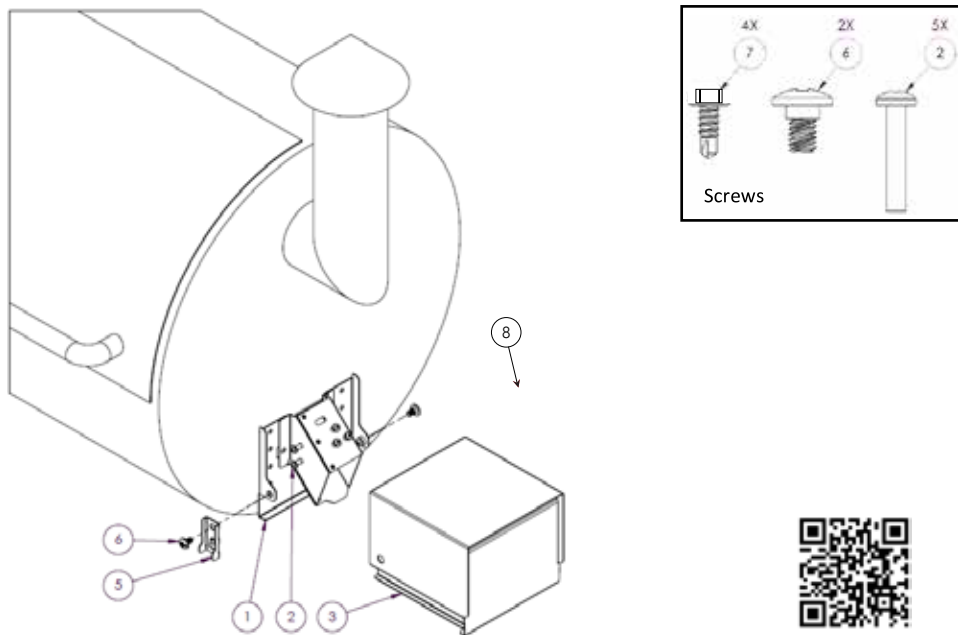
STEP 1: PREPARATION

- Go to THEGREASEBOX.COM to confirm compatibility to your grill. Note: Some grills models with compact grease spouts require an adapter (Page 4 - **STEP 1A**).
- Make sure grill is turned off and cooled.
- On your grill, Remove the Grease Bucket and clean entire grease spout and grill area. This will ensure Mounting Plate (#1) can be properly mounted tight to grill.
- Remove the Mounting Plate (#1) from the Top cover (#3) by removing Screws (#6).

STEP 2: CHOOSE METHOD OF INSTALL

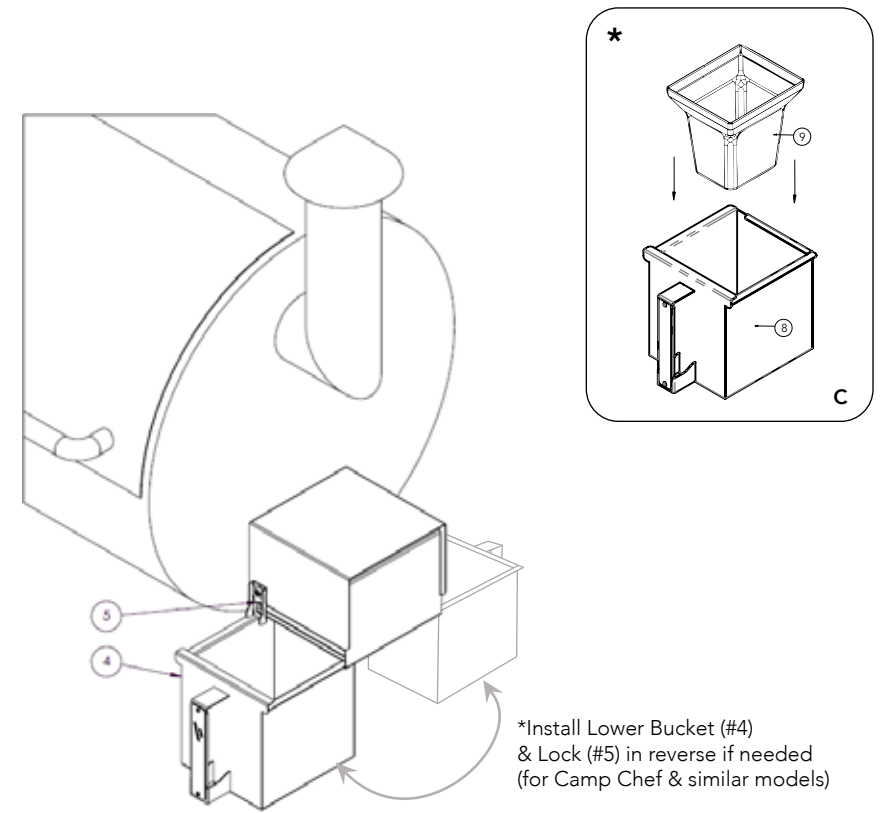
2A) Standard Install (continue below) OR 2B) Self-Tap Install (Flip to page 4)

- Add Screws (#2) to Mounting Plate (#1). Place Mounting Plate (#1) around grill spout as shown, applying upward pressure to hold it tight to grill. Using a screwdriver, tighten all Mounting Screws (#2) to make a firm connection with the grill. Make sure bracket is level. If spout is too short or screws do not reach, use **STEP 2B: Self-Tap method on back page.**



STEP 3: PLACE TOP COVER

- Hang Top Cover (#3) on Mounting Plate (#1) by aligning the edges of them, pushing the Top Cover back tight to the grill and lower it down until it hooks onto the Mounting Plate (#1). If done correctly, it will be level, semi-locked into position and the screws threads will align in the opening.



STEP 4: FINISH INSTALL

- Fully lock Top Cover (#3) into position using both Shoulder Screws (#6) and attach the Lock (#5) on preferred side (either front or back)*. The Lock will swivel to allow drawer to slide in.
- **Recommended* (Image C) : Add a SBL-1 silicone box liner** or a foil liner into the Lower Bucket for cleanliness prior to grilling (Sold separately).
- Take the Lower Bucket (#4) and slide into drawer rails as shown above. Push it all the way back and rotate Lock (#5) down.
- At this point The Grease Box is fully installed, locked, and ready for its first cook.

Cleanup & Maintenance:

- It's recommended to empty grease contents after every use. **Use care when opening or emptying The Grease Box as contents or the product may be hot.** We recommend using gloves when cleaning The Grease Box. After removing contents, rinse out with soap and warm water then hand dry only.